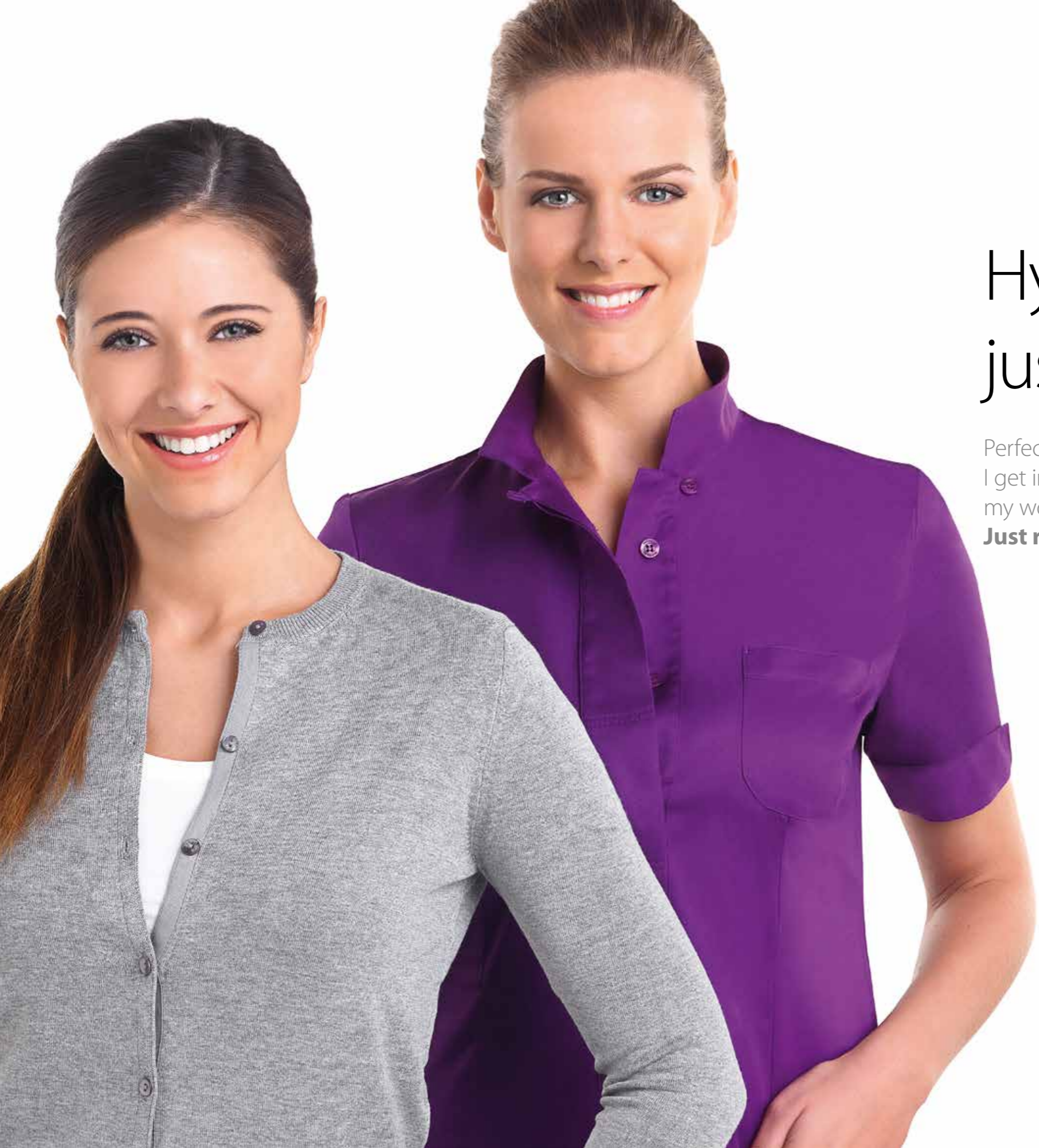




Hyperion X5

Panoramic imager





Hyperion X5, just right for me!

Perfect for me, ideal for my practice. With Hyperion X5 I get immediate diagnoses, I can motivate my patient and my work, and I can get the most out of my time.
Just right for you.



reddot award 2015
winner

Hyperion X5, it's easy.

Compact and easy to use. Capable of being installed onto any wall suitable for an intraoral X-Ray. Out of our experience, this product represents the best solution for every dentist.

Hyperion X5 is the fruit of an innovative design capable of adapting to any practice, by ensuring real-time diagnosis. State-of-the-art technology, simplicity of use. This is the formula MyRay offers so as to combine image quality and speed, thereby lending value to your time and work.

Easy imaging.

- Setting-free
- Easy to use
- Real-time diagnostics



INNOVATIVE DESIGN
Functional, light, compact.
The best design for a better practice.

EASY USE
Simple and intuitive use,
setting free, problem free.

FIT FOR ANY SPACE
For every intelligent space, for every requirement. One wall, zero footprints.

Easy, it fits.

A refined, clean, essential, ultra-compact design. Hyperion X5 is the smallest in the world and can be installed in any practice: all you need is one wall!

Hyperion X5 needs a minimum operational space, the same as an intraoral X-Ray. The captivating form and the elegant lines make it an agreeable element capable of adding value to your practice. Hyperion X5 does not clutter and blends into your environment. Thanks to the smart packaging solution, it can be quickly and safely installed so as to minimize installation times and costs.

Always by your side.

- Compact design
- Wall-mounted
- Easy installation



Light and compact like an intraoral X-Ray,
for a full world of possibilities.
All you need is one wall.



Easy, it helps.

User-friendly. Quick. Setting-free. Hyperion X5 gathers in itself all the technological innovations that simplify the workflow of your practice. Everything proves therefore to be simple and intuitive.



Immediate access, facilitated visual control, intuitive interface. Interacting with a panoramic imager has never been so simple.

- Focus-free
- MRT (Morphology Recognition Technology)
- 3 laser guides
- Firm support with self-blocking wings
- Virtual console
- Facilitated access (even on wheelchair)



Thanks to the automatic focusing, with parameters automatically set for the patient, Hyperion X5 avoids the production of underexposed or overexposed images, thereby preserving the patient from useless radiation. With the MRT (Morphology Recognition Technology) technological innovation, no operation to set the emission parameters is in fact required. Through the convenient App*, you can select the desired type of examination in a simple and intuitive manner.

Free your mind.



*Not available for US and Canada.



**DISPOSABLE PROTECTIONS
HOLDER**

Easy, it guides.

The diagnostic features you need in just one touch. Accurate diagnoses for different requirements, from adults to children, essential programs for your needs, in a few, simple steps.

A variety of settings which suit your needs, with 18 available programs, such as: dentition with improved bitewing orthogonality, temporomandibular joints and maxillary sinuses. With the optimized orthogonal interproximal projection, you can get dentition images for a better periodontal check-up. Useful for patients unable to tolerate intraoral bitewings, as it is more comfortable and less invasive. QuickPan allows a reduction in exposure times and radiation dose, thereby safeguarding the patient's health. The MultiPAN Function offers you the possibility of choosing the panoramic imaging best suited to highlight the clinical detail of relevance from a range of different views obtained through a single examination.

Ultimate flexibility.

- High quality panoramic imaging in just one touch
- 18 diagnostic programs
- Orthogonal bitewing dentition
- QuickPan (low dose)
- MultiPAN Function



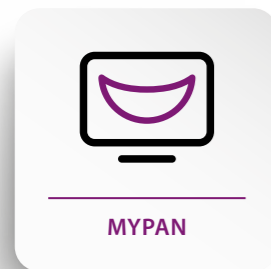
Easy, it diagnoses.

Quality at the service of the clinic. The innovative technology and the automatism inherent in the device combine so as to give birth to simply perfect panoramic images.

The high signal-noise ratio enables you to see the clinical details with utmost clarity. The broad focal layer ensures quality images in every circumstance. The filters available in iRYS make it possible to maximize the contrast and to highlight the profiles without emphasizing the noise. Thanks to an innovative filter, it is possible to optimize the perception of clinical details of diagnostic relevance by maximizing the contrast and by offering an extremely high level of detail and image clarity.

Empower your vision.

- Super Image Enhancer
- Maximum clarity
- In-depth clinical investigations



ADULT PANORAMIC IMAGING

The program of standard panoramic exposure enables a thorough or partial analysis of the patient's state by selecting the area of diagnostic relevance.

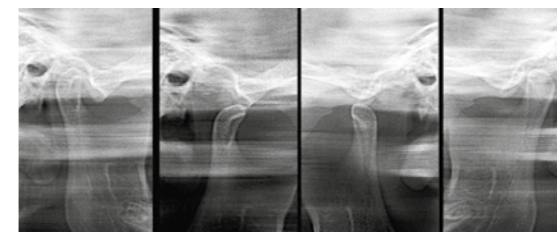
- Thorough
- Partial



CHILD PANORAMIC IMAGING

Automatically reduced exposure, same for the exposed area, thereby providing thorough diagnostic information with a restrained dose.

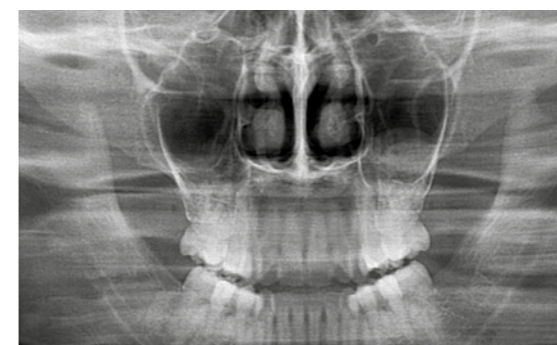
- Quick
- Low dose



TMJ'S (TEMPOROMANDIBULAR JOINTS)

Study of the temporomandibular state in a simpler fashion thanks to latero-lateral and posteroanterior images, 4 X-Rays with a single scan.

- Open & Closed mouth
- Sagittal & Coronal



MAXILLARY SINUSES

Characterized by a special image layer which returns X-Rays where the maxillary sinuses are clearly visible.

- Frontal
- Lateral

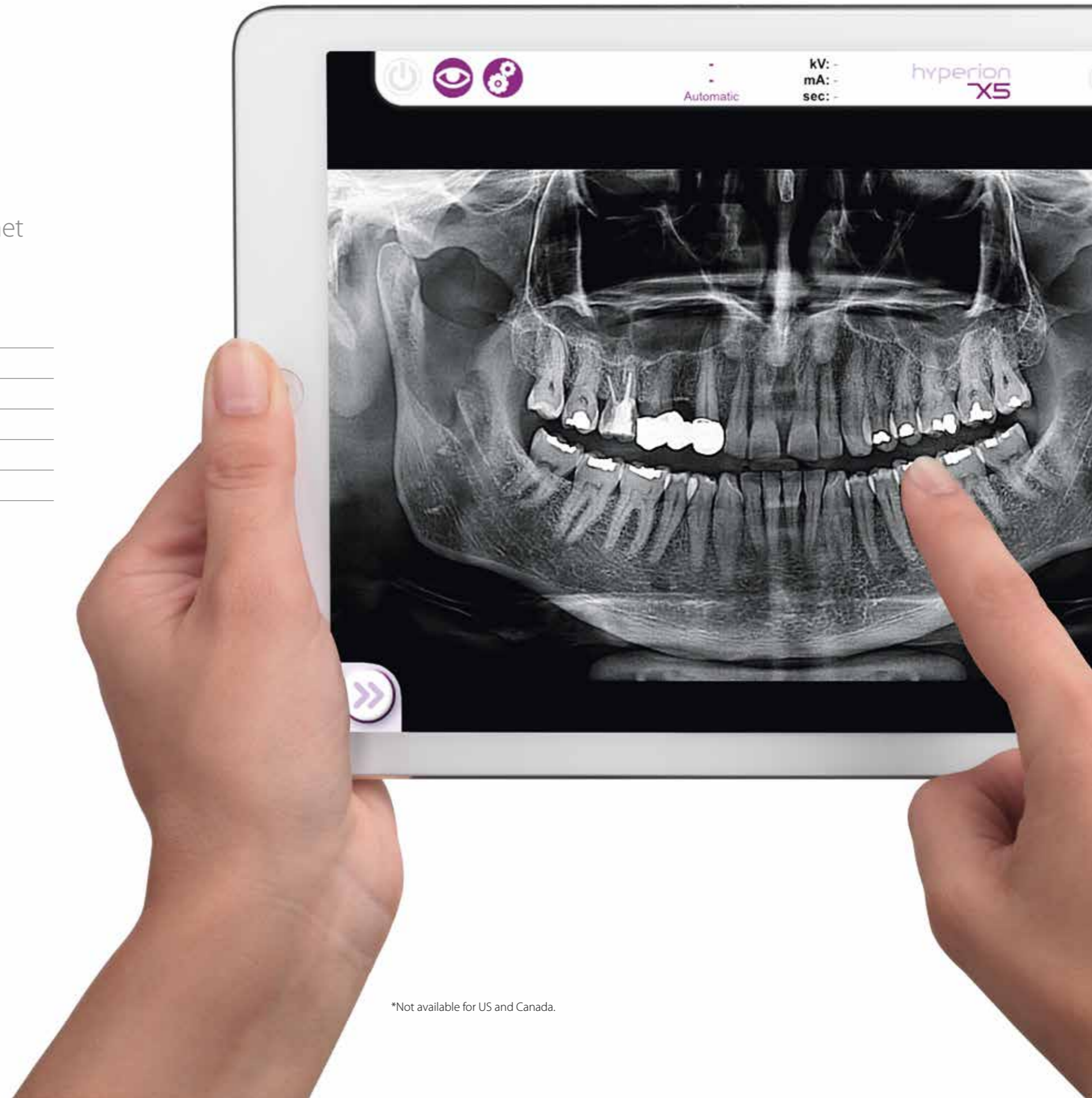
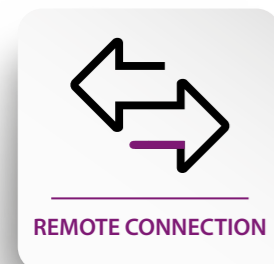
Easy, it connects.

Managing, connecting, sharing. The image exchange and assessment has never been so quick, thanks to the Ethernet connection and the APPS for touchscreen devices.

Hyperion X5 shares its own images with all the PC's present in the practice thanks to the image management iRYS software, common to every MyRay device. It is possible to send images with a TWAIN protocol to every compatible management software. Hyperion X5 is an open system: the virtual console, available both for WINDOWS systems and as iPad APP*, enables a remote control of the machine and a visualization of the images acquired on tablet. Managing and archiving the images is practical and quick: because of that, we have conceived a powerful platform capable of interfacing with third party systems, thanks to the DICOM protocols and other communication methods.

View everywhere.

- Ethernet connection
- iRYS Software
- Virtual console
- APPS*
- DICOM



*Not available for US and Canada.

Easy, it saves.

Your time, our priority: Hyperion X5 is easy to install and is always ready for use with minimum costs and times. You, too, should choose Hyperion X5, it is simple and does not require any pre-settings.

Automatic stand-by and immediate reactivation for minimum electricity consumptions. A saving for the environment and for your budget. Thanks to the excellent quality of materials and the simplicity of the device, the assistance and maintenance needs have never been so limited, thereby ensuring maximum reliability over time. Control the state of the machine and update it even from afar with the ethernet connection.

Enjoy your time.

- Plug&Play
- Eco friendly
- Mini budget
- Stress-free



FLOOR-MOUNTED VERSION

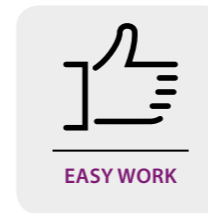
Even in the floor-mounted version, installation proves easy and immediate.





Hyperion X5, improve your day.

Concrete benefits every day. Hyperion X5 lends value to your time, nullifies stress and maximizes your work.



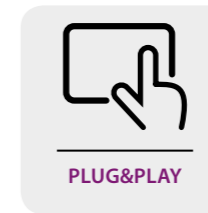
EASY WORK

It improves the quality of the clinical service, offering at once an answer to the problem by monitoring the patient's state during the treatment without any interruptions. Better workflow, a calmer patient.



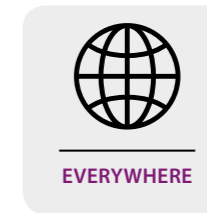
FULL CONNECTIVITY

The DICOM network connection is ensured thanks to protocols, available with iRYS, which enable the printing, archiving and retrieval of images and the interface with booking lists.



PLUG&PLAY

Available iPad* applications for a Wi-Fi operated remote control and quick and nimble diagnostics. Setting, start and image acquisition are within reach.



EVERYWHERE

Compact and light, Hyperion X5 calls for a minimum floor-mounted operational footprint by retaining tear strength requirements which are equivalent to an intraoral X-Ray.



MINI BUDGET

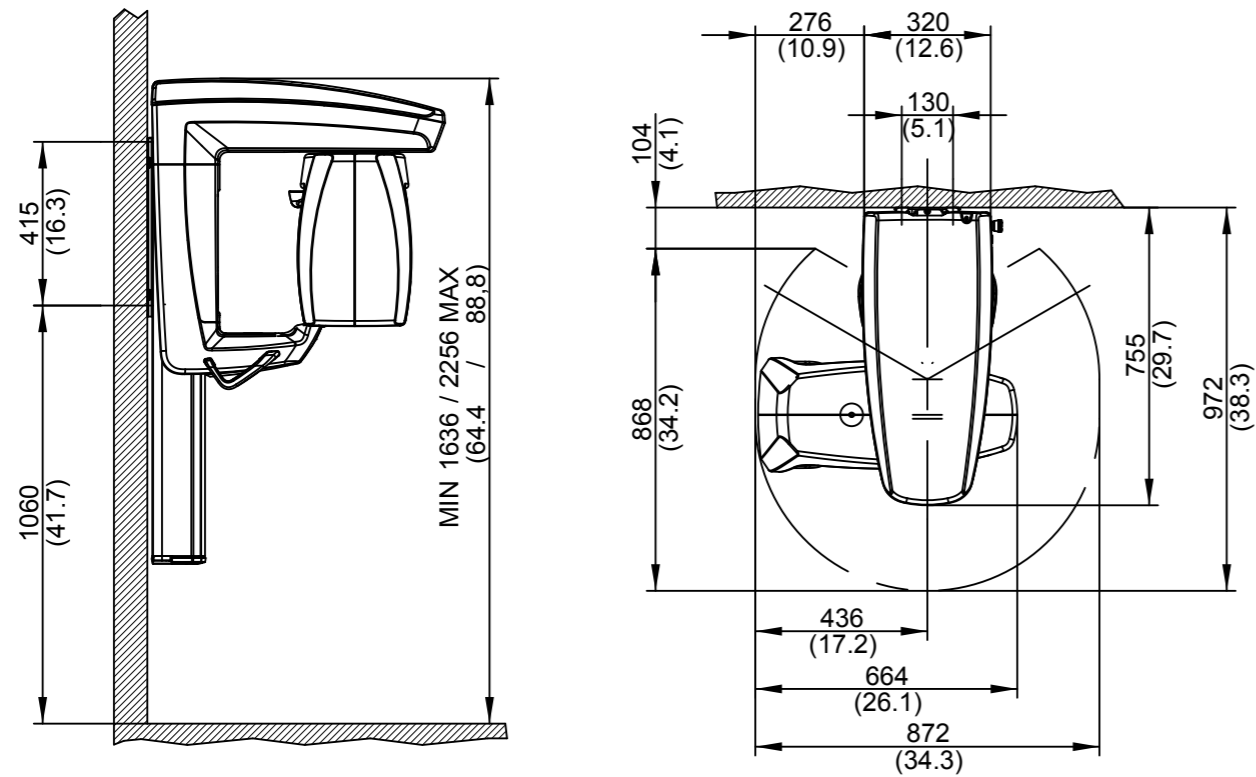
Installation and calibration costs and times are restrained. The high quality of the materials calls for minimum maintenance whilst ensuring maximum reliability.

*Not available for US and Canada.

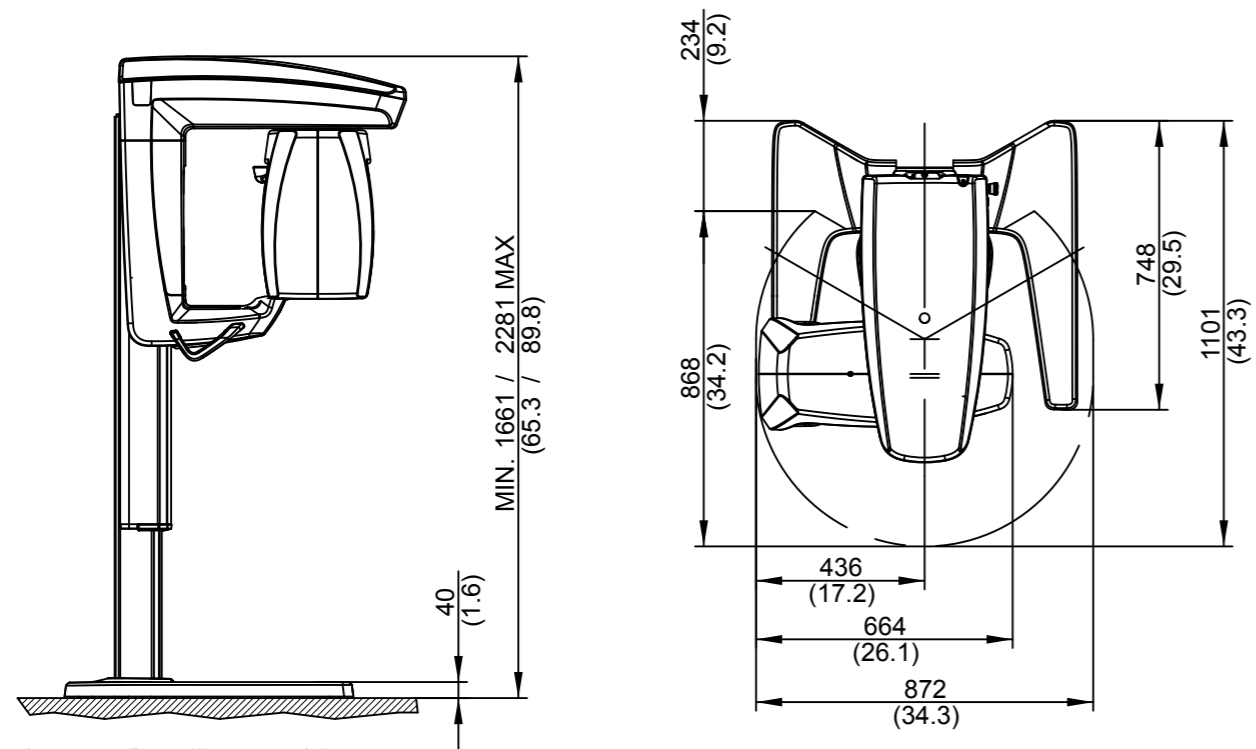


Technical characteristics.

WALL-MOUNTED VERSION



FREE-STAND FLOOR-MOUNTED VERSION



dimensions in millimetres (dimensions in inches)

2D IMAGES

Type	Adult and child panoramic imager, QuickPAN, MultiPAN, "Bitewing" Dentition, PA and LL maxillary sinuses (Right and left), Temporomandibular Joint (2 x LL +2 x PA) Open and Closed Mouth
Patient Alignment	3 Laser Guides
Sensor Technology	CMOS (CSI)
Dimension	PAN standard 15 cm x 28 cm
Image file size	max 7.5 MB
Image resolution	5 to 7 lpmm
Dynamic range	14 bit (16383 Gray levels)
Enlargement	1.2 – 1.3
Exposure time	3-12 s

X-RAY GENERATOR

Type of generator	Constant potential (DC)
Anode voltage	60 kV – 85 kV (step 1kV)
Anodic current	4 mA - 15 mA
Focal spot	0.5 mm (IEC 60336)
Inherent filtration	> 2.5 mm Al eq. (a 85 kV)
Exposure control	Automatic. MRT (Morphology Recognition Technology).
Duty cycle	1:20 at full power operation (85kV, 12mA)

SUPPLY

Voltage/Frequency	115 - 240 Vac, ± 10% single phase 50 / 60 Hz ± 2 Hz
Maximum current temporary peak absorption	20A at 115V; 12A at 240V
Current consumption in standby mode	maximum 0.5 A
Note	Automatic voltage and frequency adaptation

DIMENSIONS	WALL-MOUNTED VERSION	FREE-STAND FLOOR-MOUNTED VERSION
Required minimum	872 mm (L) x 972mm (D)	872 mm (L) x 1101 mm (D)
Packaging dimensions (L) x (P) x (H) in mm	(1) 930x690x960 + (2) 1460x350x350	(1) 930x690x960 + (2) 1860x355x350
Weight	70 kg (154lb)	84 kg (185lb)
Adjustable height	2 speeds motorized	
Note	Accessible by patients on wheelchair	Self-supporting base available

CONNECTIVITY

Connections	LAN / Ethernet
Software	RYS
Supported protocols	DICOM 3.0, TWAIN, VDDS
DICOM nodes	IHE certification (Print; Storage Commitment; WorkList MPPS; Query Retrieve)

MyRay, just right for you.

Leading European company for a full range of dental imaging solutions. For all dental practices.



Hyperion X9
The extraoral 3-in-1 (3D, PAN, CEPH) imaging system suited to every clinic.



Hyperion X5
The compact and simple solution in the digital field of dental panoramic imaging.



iRYS
Best software for your 2D and 3D clinical needs.



RXDC HyperSphere+
The high-technology X-Ray for maximum operational freedom.



RXDC eXTend
The highly precise and versatile X-Ray with a wireless control device.



RXAC
The solid and reliable X-Ray with AC technology for digital and film.



X-pod
Wireless diagnostics within everyone's reach, fitted with a touch-sensitive display.



Zen-X
The fastest way of obtaining perfect intraoral images.



C-U2
High Definition (HD) videocamera with the fastest communication in the world.



www.my-ray.com

Plant - Via Bicocca, 14/c - 40026 Imola - Bo (Italy) tel. +39 0542 653441 - fax +39 0542 653555

Headquarters - Cefla s.c. Via Selice Provinciale, 23/a - 40026 Imola - Bo (Italy) tel. +39 0542 653111 - fax +39 0542 653344

Cefla North America, Inc. - 6125 Harris Technology Blvd. Charlotte, NC 28269 - U.S.A. Toll Free: (+1) 800.416.3078 Fax: (+1) 704.631.4609